

# CHIMNEY STACKS

The "ROOF MOUNTED CHIMNEY STACK"

Mono-Pitch  
Ascentor



Gable End  
Zenith



Ridge Real Brick  
Cathedral



The Poujoulat flashing system has evolved from 30 years of tried and tested designs. Very easy to position in place of 4 or 6 tiles, they deliver an optimal sealing to the roof.

## THE "ROOF MOUNTED CHIMNEY STACK"

With a metal chimney within the envelope of the house, heat loss is reduced, and more energy is conserved within the house.

**bre** (British Research Establishment) state "this heating system provides a 9.8% energy saving and reduces Carbon footprint by 341kg of CO<sub>2</sub> / year. Compare that to a solar panel which according to BRE would only provide a 6.5% energy saving.



# PRESENTATION

The **Poujoulat "Roof Mounted Chimney Stack"** provides an aesthetically pleasing and value addition to the house as well as a functioning flue, that can efficiently serve all types of primary and secondary heating systems, for new build and renovation projects, with finishes to match the local environment.

8 SMOOTHCOAT FINISHES

off white   ochre   rose   grey cement   terracotta   grey brown   dark brown   black

4 BRICKSLIP FINISHES (OTHERS ON DEMAND)

gold   yellow   salmon   red

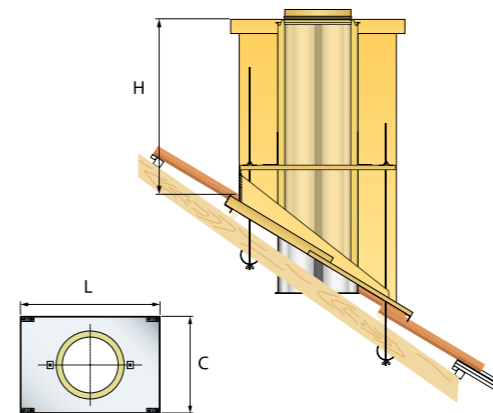
3 ROUGHCAST FINISHES

off white   ochre   rose

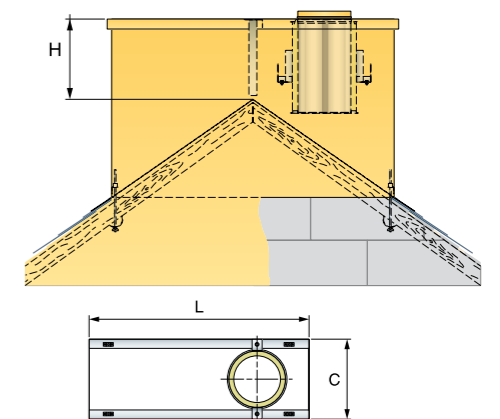
REAL BRICK & GRP ON DEMAND

- REAL BRICK will use bricks collected from your site
- GRP-BRICK a light-weight match to the bricks on site

MONOPITCH



RIDGE MOUNTED



Model	Ref	Section L x C (mm)	Height on short side H (mm)
Ascentor Square	TCP	370 x 370	680 to 1460
	STRP	575 x 400	890 to 1450
Ascentor Rectangular	STDC	800 x 400	890
	STDCP	400 x 800	890
Britannia Square	TCPUK	665 x 665 776 x 776	700 to 1000
Britannia Rectangular	TRPUK	665 x 440 770 x 440	700 to 1000
Pinnacle	STVR	575 x 400	850

Model	Ref	Section L x C (mm)	Height on short side H (mm)
Zenith Square	STNC	800 x 800	750
Zenith Rectangular	STF	1100 x 450	400 to 750
Cathedral Square	STFUK (ridge) STFP (gable end)	665 x 665 776 x 776	600
Cathedral Rectangular	STFUK (ridge) STFPUK (gable end)	1000 x 550 665 x 440 550 x 440 1000 x 776	600
Pinacle	STVF	1100 x 450	650

ALL PRICES FOR ALL MODELS ARE AVAILABLE POA WITH FULL ESTIMATING AND DESIGN SERVICE SUPPORT