

Poujoulat (UK) Ltd

Unit 1, Quadrum park, Old Portsmouth Rd

GUILDFORD

Surrey

GU3 1LU

Tel: 01483 461700 & Fax: 01483 533435



SS2

Installation Instructions for SMOKEX Chimney Solid Fuel Fan with the SS2 Controller

The installation instructions that follow describe the installation and commissioning of the following components : -

SMOKEX Chimney fan.

Anchor cable

Glass Wool Matting

Brackets

Bracket Locking Bolts

Isolator Switch (or other weather proof junction box)

SS2 Speed Control

Operation of the Controller

The controller allows the fan to be turned on and off and provides a means to vary the speed of the fan and hence the draw of the flue.

The controller is suitable for wood, coal and other solid fuels.

The SS2 should not be used for gas appliances. (For gas appliances use the SG2 controller)

Layout of Components

The diagram in Fig.1 shows the elements of a typical installation.

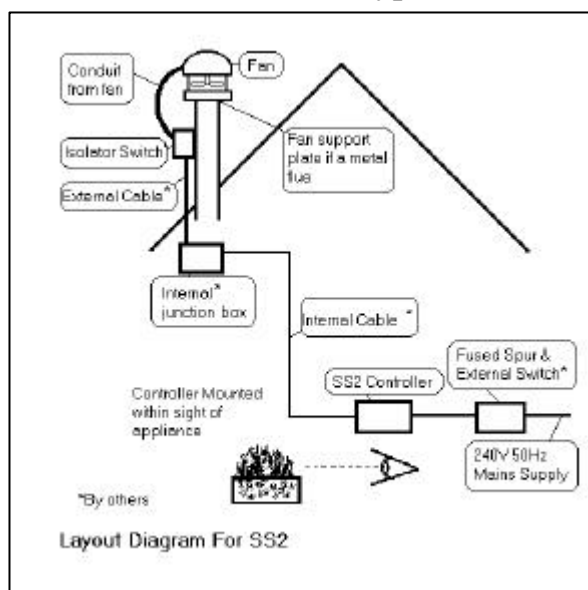


Fig. 1

The diagram in Fig. 1 is a suggested installation only. If actual site conditions will vary so may the electrical wiring requirements.

**ALL INSTALLATIONS MUST COMPLY WITH REGULATIONS IN FORCE.
CONSULT AUTHORITY HAVING JURISDICTION IF IN DOUBT.**

Wiring Diagram

The diagram illustrated in Fig.2 shows the schematic diagram of how the Smokex Fan, SS2 controller, and Isolator Switch may be connected together.

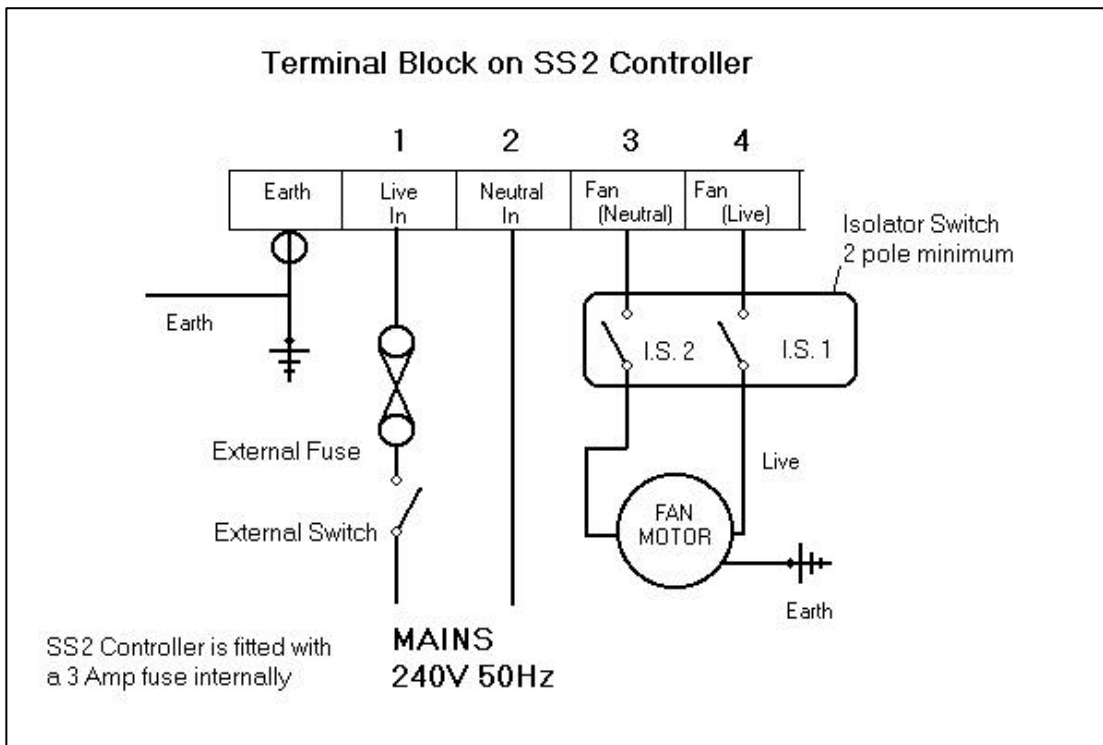


Fig.2

Installation procedure

Cut a hole in the glass wool matting the same diameter as the chimney flue. Place the holed glass wool matting on the top of the chimney with the aluminium foil side facing upwards.

Fasten the brackets under the base plate of the chimney fan, so that the distance between the inner wall of the flue and each bracket is approximately 5 to 25mm.

Place the chimney fan on the top of the chimney by simply resting it on the glass wool matting with the bracket ends protruding into the flue.

Fasten one end of the anchor cable to a suitable bolt on the fan base and the other end to the external wall of the chimney with the expansion bolt . Adjust the length of the anchor cable so that the fan can be lifted without disconnecting the cable from the fastening

points. Remember to lock the cable retainer after adjusting to the correct length.

Note that neither the brackets nor any part of the fan base or housing should be in contact with the chimney, as this could transmit noise.

Thereafter connect the electric cable from the fan to the isolator switch fixed on the external wall of the chimney below the fan. Take care to ensure that the sufficient slack is left in the cable to lift the fan and it's legs clear of the flue without having to disconnect the isolator switch. The diagram in Fig. 3. illustrates how to connect the isolator switch.

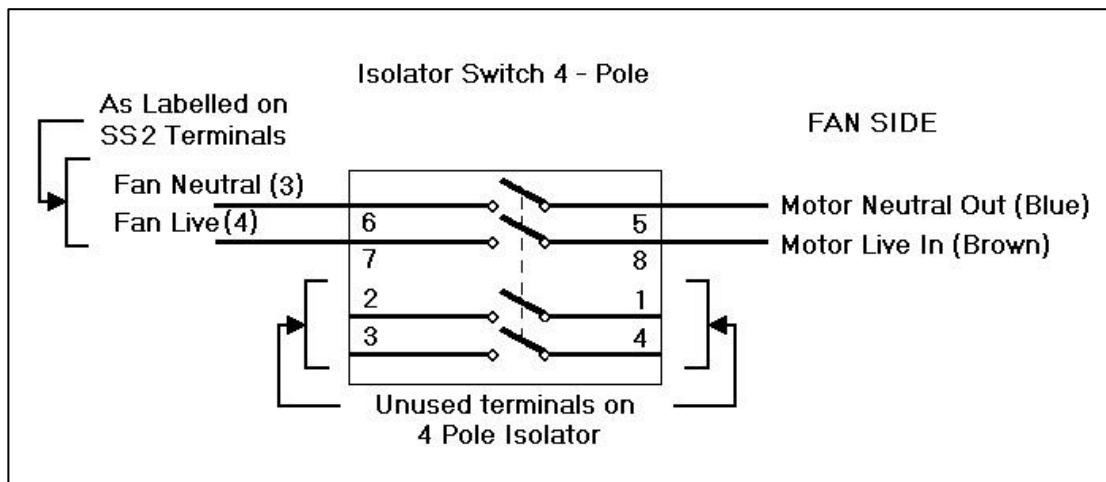


Fig. 3.

From the isolator switch use weatherproof cable, such as 2 core stranded wire armoured cable (not supplied) with the shield used as the earth, to run into the building. Connect the exterior cabling to interior cabling using an internal junction box (not supplied). The interior cabling should then be run to the SS2 Speed Control.

The SS2 speed control should ideally be located within sight of the appliance, so it's effect on the draught may be observed.

The SS2 may be surface mounted on the wall or flush mounted in the wall using standard approx 40mm deep x 150mm x 80mm galvanised steel box (not supplied).

Connect the internal cables run from the Smokex fan unit to the terminal block on the SS2 as shown on the wiring diagram in Fig. 2.

Connect the SS2 Speed control to 240V 50Hz mains supply via a fused spur and external switch.

Commissioning

The SS2 Speed control allows the chimney fan to be switched on and off. It also allows the speed to be set within a range. The minimum speed in the range may be altered.

To adjust the setting of the minimum speed:

- Turn the large white control towards the minimum speed.
- Very gently turn the knob against it's stop in the same direction, at the same time pull the knob as it is rotated.
- The control knob will come away from spindle.
- The minimum speed adjustment screw may now be accessed, allowing adjustment using a 3mm flat head screwdriver.
- Set the minimum speed as required. Avoid a speed less than a third the maximum speed, as this may strain the motor. The minimum speed setting may be adjusted while the fan is in operation. Take care not to force the screw that adjusts the minimum speed setting, if it is not turning the limit has been reached!
- Replace the large white control knob when finished.

Maintenance

The fan will need cleaning periodically to remove soot build up on the blades. How often will depend upon the type of fuel used.

Special Installations

If the SMOKEX fan is to be fitted on top of Therminox or other factory made steel chimney, then a support plate (see brochure) should be fitted to the chimney to provide adequate base for the fan to sit on.

If the fan is to be fitted onto a wall, a Rain Deflector is required to prevent water ingress in the motor housing. The unit must be bolted to the wall centrally over the flue using fixings appropriate to the structure. The surface against which the fan unit is being bolted to should be reasonably flat. The base of the unit has to be drilled on site to allow the fixing bolts to pass through and attach to the wall. The four legs supplied with the fan unit are not required and may be discarded. The unit must be installed with the rain deflector upmost.

Important notes for the customer

- i. Any product fitted to the top of a chimney operates in a hostile environment ie corrosive flue gases and weather conditions. The life of the product may therefore be limited.
- ii. The chimney flue-way cannot be completely cleaned throughout its length unless the exhaust fan is removed.

- iii. The risk of a chimney fire is greatly increased due to inadequate sweeping (see (ii) above). A chimney fire may cause structural failure or spread to other parts of the building. It is likely that if a fire occurs the fan may be rendered inoperable.
- iv. Power cuts are rare, but do occur from time to time. Under these conditions, any problems will be aggravated as the fan increases the frictional resistance of the chimney and the products of combustion may not be evacuated.
- v. The emission of fumes into the house is dangerous and if at any time this occurs, then the appliance should be allowed to go out, the room evacuated and windows opened.
- vi. It is strongly recommended that a suitable CO² and smoke alarm is fitted into the room of the appliance to warn of any fan failure.