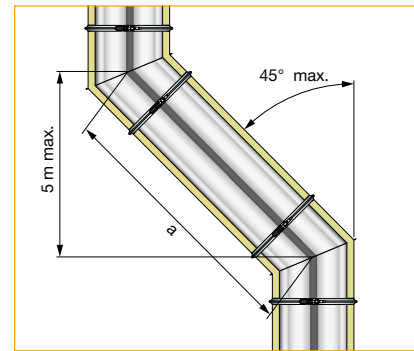


CHIMNEY OFFSET & FIRE-STOP ARRANGEMENT

Offset

An offset is acceptable only if the following rules are respected:

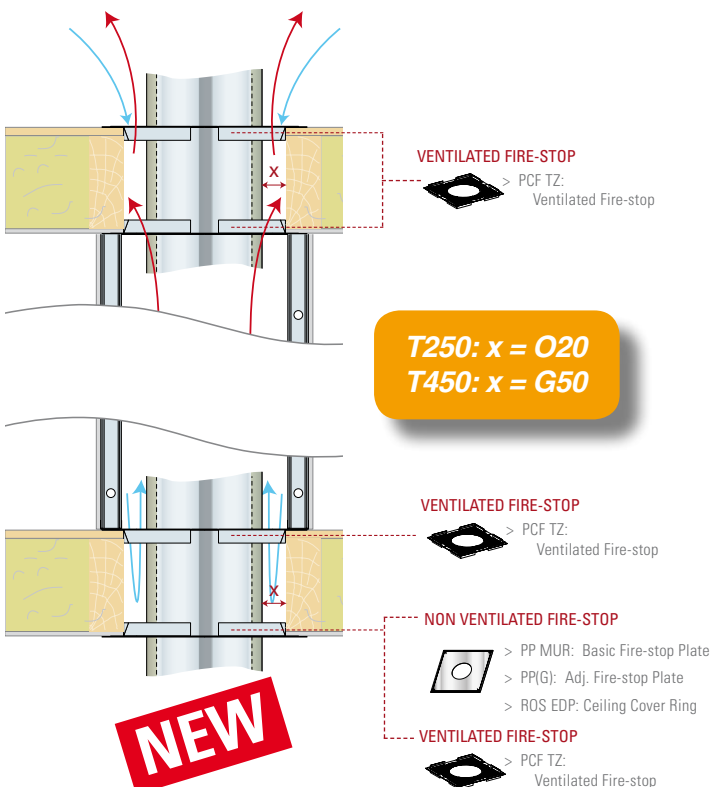
- > The chimney system shall have no more than 4 bends in total. 2 bends in the chimney and 2 bends in the flue pipe connection.
- > The offset shall provide a change of direction no more than 45° from the vertical.
- > The run of chimney (a) between bends shall not exceed 20% of the total chimney length.



Chimney passing through the ceiling floor level

- > Joints between chimney sections and associated locking bands shall not occur within any ceiling joist space or wall/partitions.
- > Fire-stops or Fire-stop/spacers shall be fitted to the frame formed between compartment through which the chimney passes.
- > The lower end of the chimney shall extend at least 150 mm below a non combustibile ceiling, but the required clearance distance from combustibles to the connecting flue pipe must also be respected, usually three times the diameter of the connecting flue pipe eg. 150 dia. pipe = 450mm clearance to combustible.
- > Where the flue pipe connects to the chimney the connection shall be made using our Pipe Connection Length (EDP) or using our P Adaptor which can be supplied with any spigot diameter so suit.

Fire-stop arrangement for THERMINOX TI/ZI



Fire-stop arrangement for DUALIS PGI

